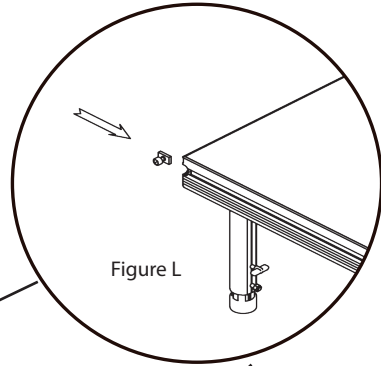
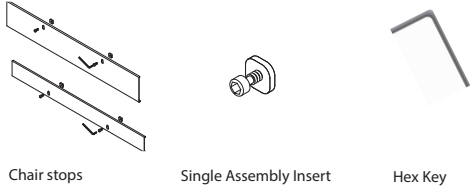


Attaching Chair Stops

Components Needed

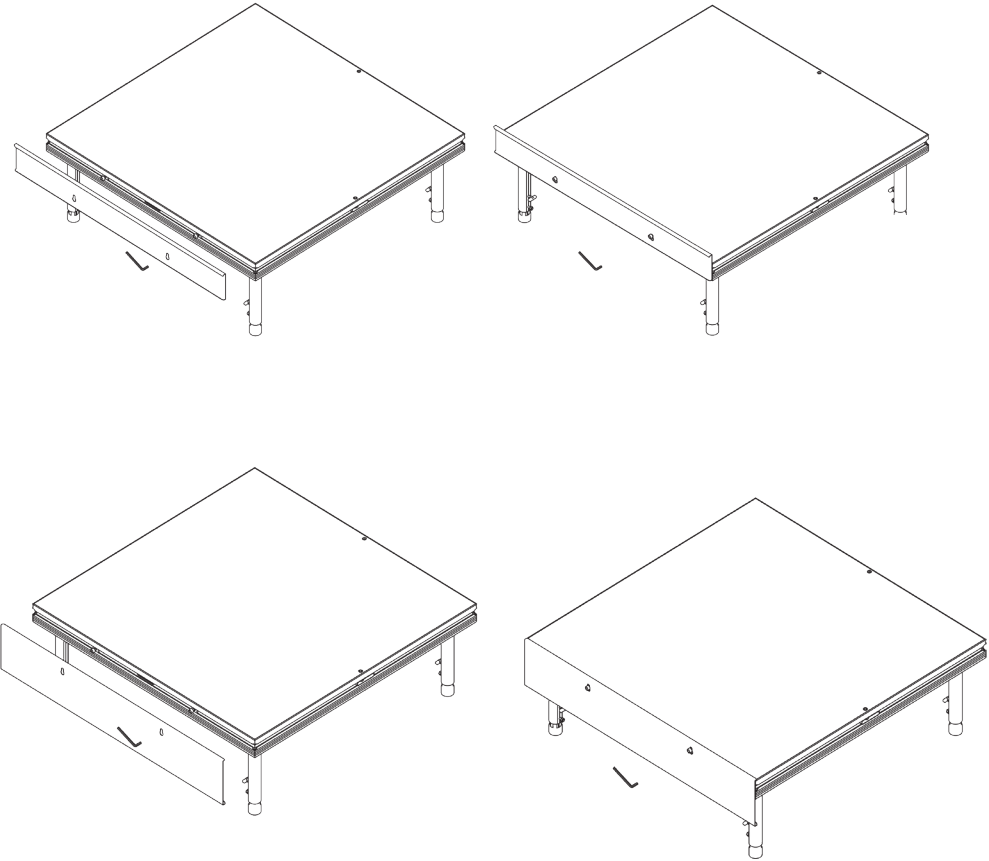


Slide single assembly insert into the channel in the frame of the platform

1. Slide single assembly insert into the channel in the frame of the platform as shown in Figure L.

Attaching Chair Stops

Figure M



1. Align single assembly inserts with openings on chair stops.

2. Attach chair stops to the single assembly inserts and tighten in place using hex key as shown in Figure M.