



PASSPORT® Vertical Platform Lift (VPL)

Technical Specifications

STRAIGHT PLATFORM

PL52SP3651 – 52" (w/ Standard Straight Platform)

Weight (Tower/Platform/Net)	: 193 / 174 / 367 lbs.
Tower Height (Overall)	: 76-1/8"
Platform Assembly Height (Max.)	: 97-3/4"
Platform Useable Size	: 50-3/4" x 36"
Lifting Height (Landing-to-Landing)	: 52"
Overall Footprint (Ramp Deployed)	: 75" x 55-7/8"

TURN PLATFORM

PL52TP3860 – 52" (w/ Standard Turn Platform)

Weight (Tower/Platform/Net)	: 193 / 184 / 377 lbs.
Tower Height (Overall)	: 76-1/8"
Platform Assembly Height (Max.)	: 97-3/4"
Platform Useable Size	: 57-3/4" x 37-1/8"
Lifting Height (Landing-to-Landing)	: 52"
Overall Footprint (Ramp Deployed)	: 84" x 55-7/8"

CONSTRUCTION & OPERATIONAL STANDARDS

PERFORMANCE STDS:	B44.1 / ASME A17.5 Ed.6, ASME 18.1-2017 Ed.7(Sec 5)
MAXIMUM RATED LOAD:	750 lbs. Never exceed Maximum Rated Load
PLATFORM CAPACITY:	Two passengers (one occupant with mobility device, plus one caregiver)
DRIVE CIRCUIT ELECTRICAL:	24 VDC supplied by two 12 VDC-12 Ah sealed lead-acid batteries;
DRIVE CIRCUIT BATTERY CHARGER:	Onboard 2-amp smart charger
CONTROL CIRCUIT VOLTAGE:	12 VDC
AC INPUT:	120 VAC, .6 amps
AC POWER CORD LENGTH:	12'
PRIMARY DRIVE:	24 VDC worm drive motor; .58 hp; 28:1 reduction ratio; 96 rpm output speed rating
FINAL DRIVE:	1" diameter Hi-lead® drive screw with bronze nut and bronze safety backup nut
FINAL DRIVE SAFETY CIRCUIT	Final Limit Switch deactivates drive motor should Upper Limit Switch fail
DRIVE MOTOR CONTROL:	24 VDC reversing relay; 12 VDC control input; 30-amp auto reset circuit breaker
BRAKING:	Worm drive gear motor
INTERFACE CONTROLS:	12 VDC; separate, continuous, low pressure large mushroom-head control switches for "UP/DOWN" operation; onboard LED indicator lights, including diagnostics for quick and easy reference; user adjustable control box; keyed operation
EMERGENCY STOP:	Red, sealed, 1.5" diameter mushroom-head, push button
PLATFORM TRAVEL SPEED:	10'/min
NUMBER OF STOPS/LANDINGS:	Two stops (upper and lower landings)
TOWER CONSTRUCTION:	Welded aluminum extrusion
CARRIAGE CONSTRUCTION:	Welded aluminum; 1.9" MDS nylon 6/6 rollers; UHMW rub strip way guides
PLATFORM CONSTRUCTION:	Welded aluminum, enclosed, removable aluminum framed side enclosures with coated steel filler panels
UNDER PLATFORM SAFETY:	Formed aluminum safety pan with obstruction detection circuit, designed to stop lift upon contact with an obstacle under platform; takes less than 15 lbs. of pressure to activate safety pan obstruction detection circuit
GUARD RAMP:	Self-actuating; 24"
EMERGENCY LOWERING:	Manual hand-crank
UPPER AND LOWER LIMIT SWITCHES:	Upper/lower and primary/secondary limit switch trigger locations are adjustable via movable
WEIGHT OF TOP LANDING GATE:	50 lbs.
CONCRETE PAD ATTACHMENT:	Anchor-ready 6000 Series Aluminum legs
MOUNTING SURFACE:	A level (F _r 30-35, F _i 20-25), ≥ 3,500 psi reinforced concrete pad with a 4" minimum thickness
DRIVE SCREW LUBRICATION:	DUPONT™ White Lithium Grease w/TEFLON® Fluoropolymer Aerosol (or equivalent)
WARRANTY:	2-Year Limited (visit www.ezaccess.com for complete warranty details)

Weights and dimensions are approximate and subject to change. Installing contractor to verify dimensional information prior to installation.

ELEVATION VIEW DIMENSIONS

52" PASSPORT VERTICAL PLATFORM LIFT

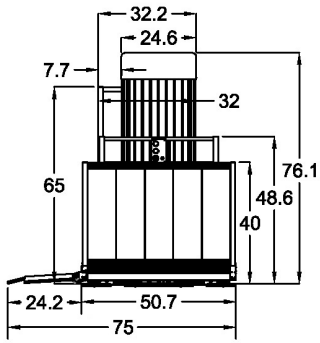


FIG 52.1

(STRAIGHT PLATFORM
SHOWN OPEN)

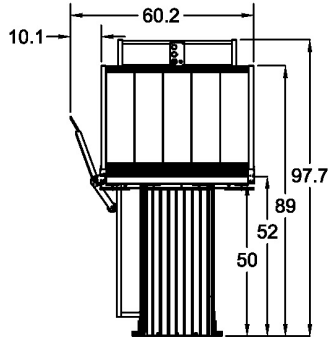


FIG. 52.2

(STRAIGHT PLATFORM
SHOWN CLOSED)

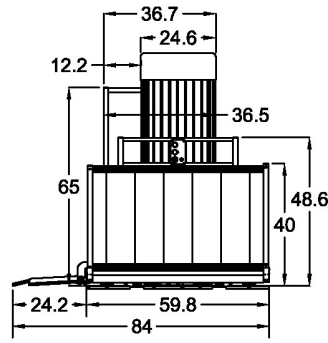


FIG. 52.3

(TURN PLATFORM
SHOWN OPEN)

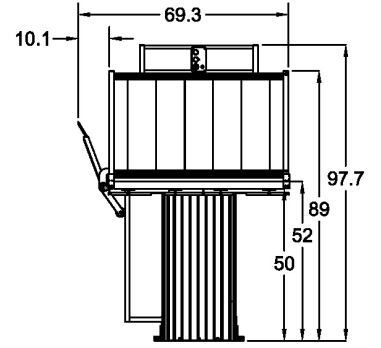
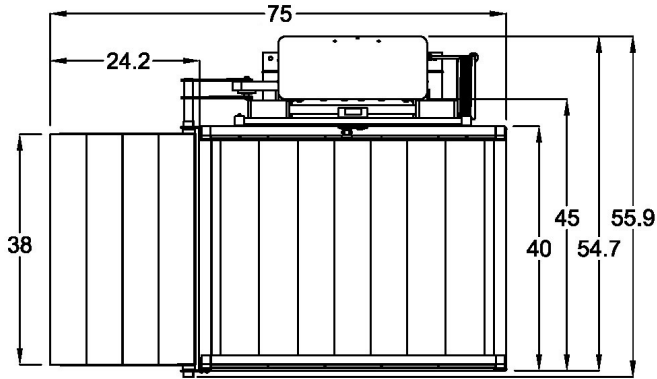


FIG. 52.4

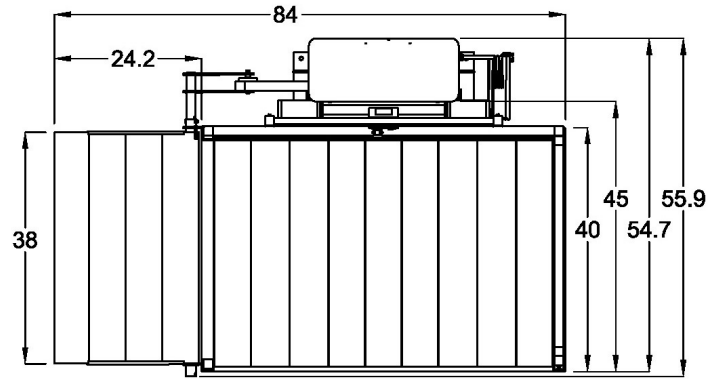
(TURN PLATFORM
SHOWN CLOSED)

PLATFORM DIMENSIONS (TOP & BOTTOM VIEW)

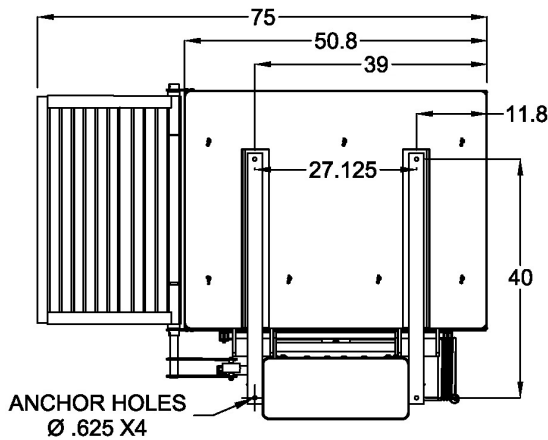
TOP VIEW – STRAIGHT PLATFORM



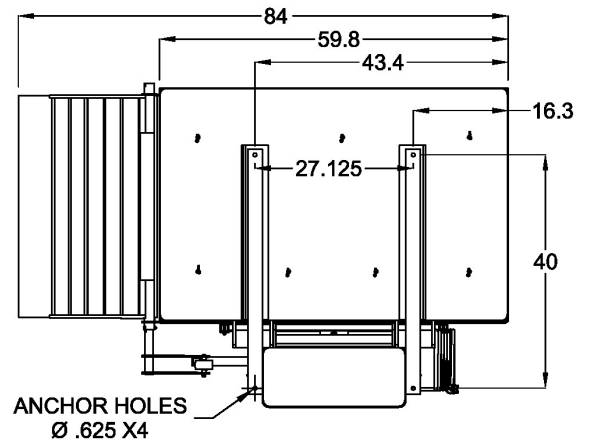
TOP VIEW – TURN PLATFORM



BOTTOM VIEW – STRAIGHT PLATFORM

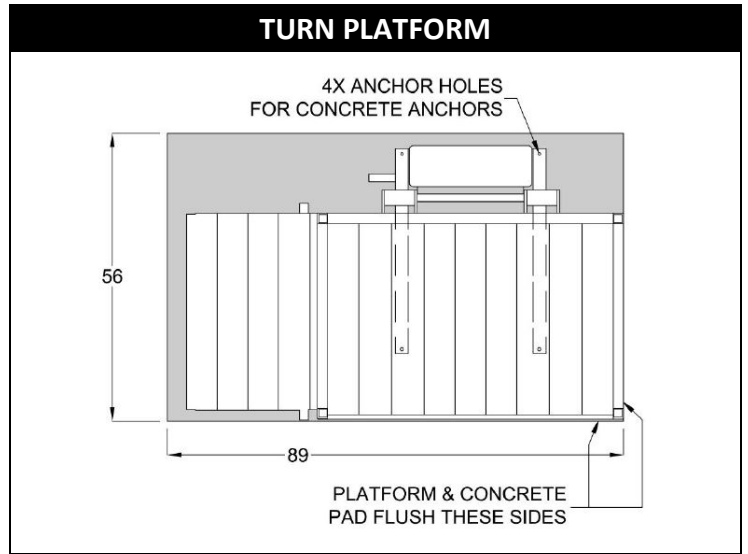
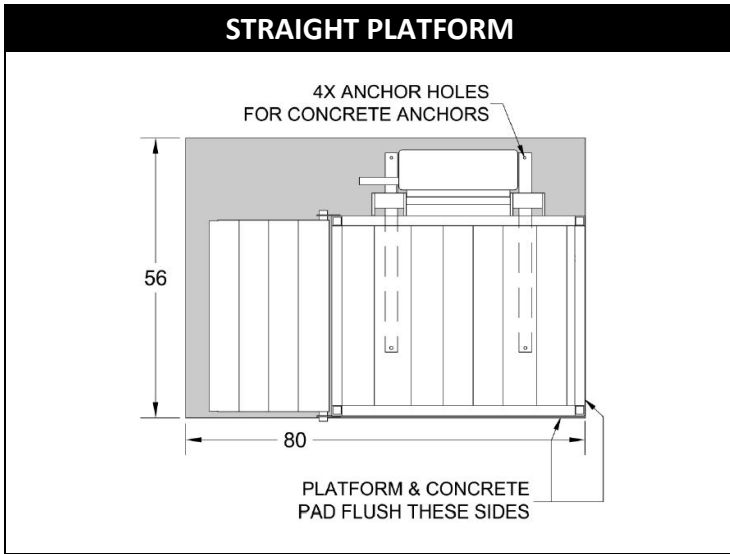


BOTTOM VIEW – TURN PLATFORM



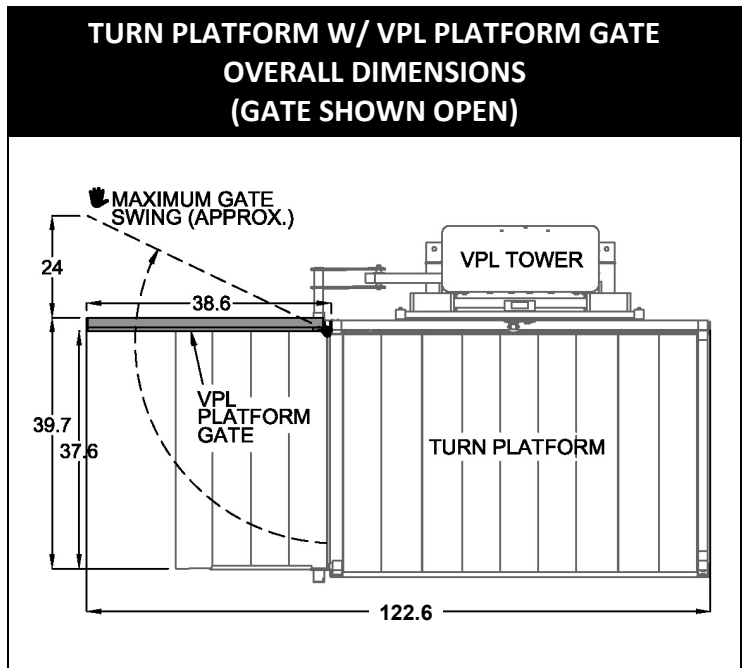
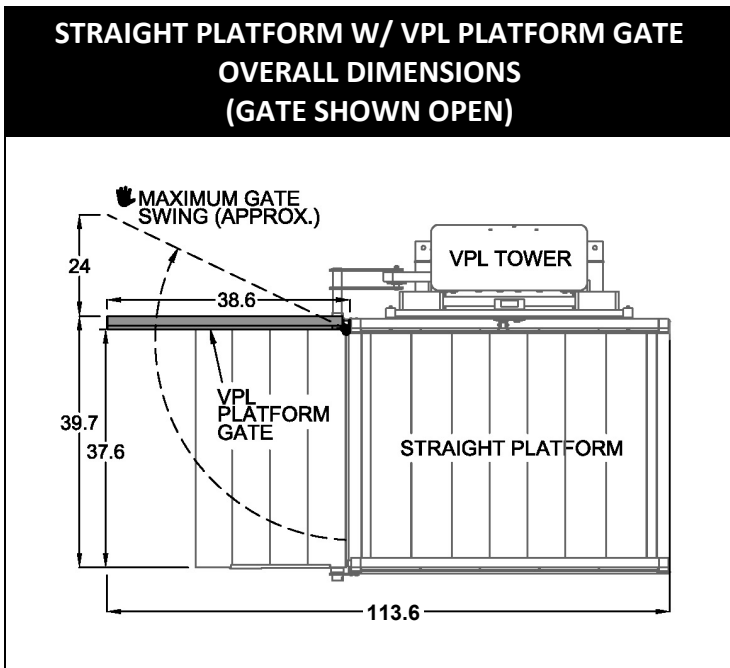
REINFORCED CONCRETE PAD DIMENSIONS

☞ Turn platform dimensions can be used universally for straight or turn.



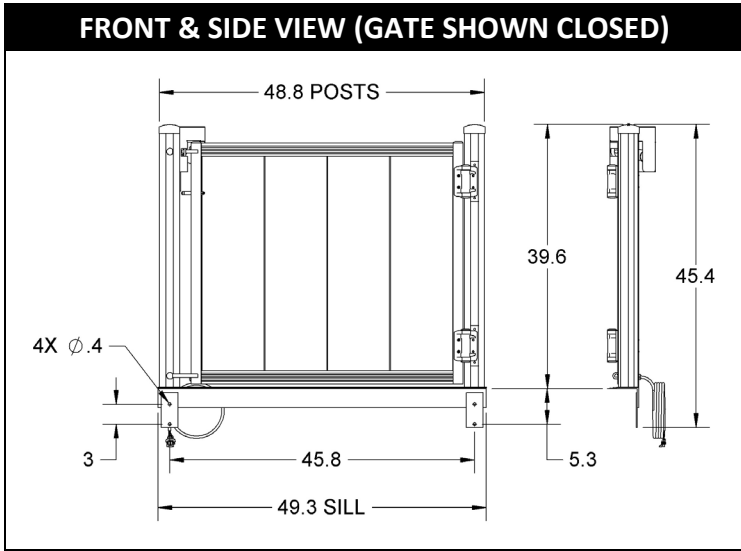
PLATFORM GATE DIMENSIONS

- ⚠ PLATFORM GATE DOES NOT LATCH (GATE HINGES ARE SPRING LOADED).
- ⚠ ENSURE MAXIMUM GATE SWING IS CONSIDERED DURING INSTALLATION AND USAGE EVALUATIONS. GATE SWING SHOWN BELOW IS APPROXIMATE; INSTALLING CONTRACTOR TO FIELD-VERIFY GATE SWING DIMENSIONS.



TOP LANDING GATE DIMENSIONS

FRONT & SIDE VIEW (GATE SHOWN CLOSED)



TOP VIEW (GATE SHOWN OPEN)

