

DYMS20

Assembly instructions for Model Number DYMS20

Before starting:

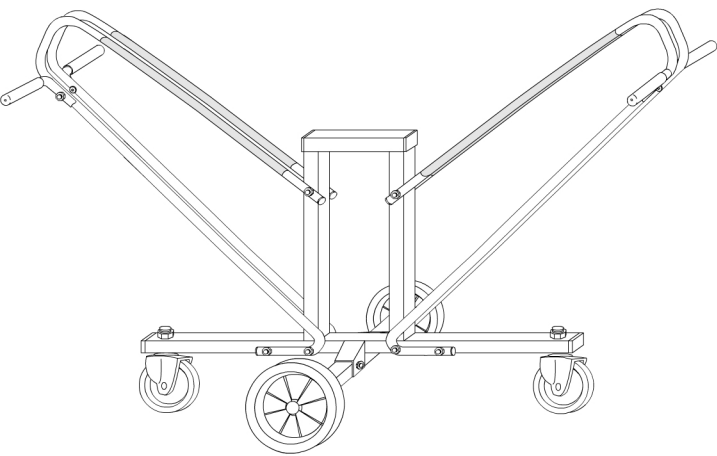
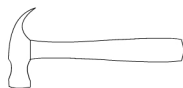
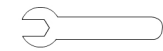
Remove everything from box and lay them out. Refer to the drawings and identify all parts.







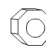





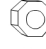



Tools needed:

One 3/4" wrench

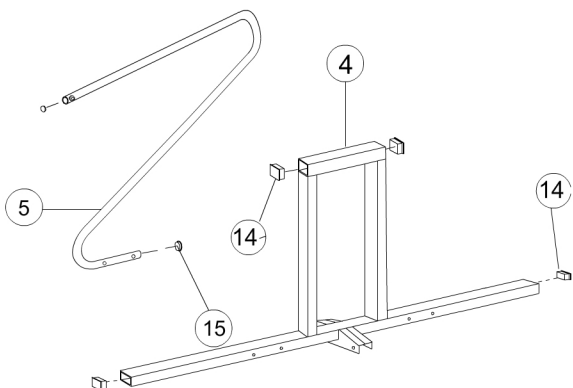
Two 1/2" wrenches

Hammer



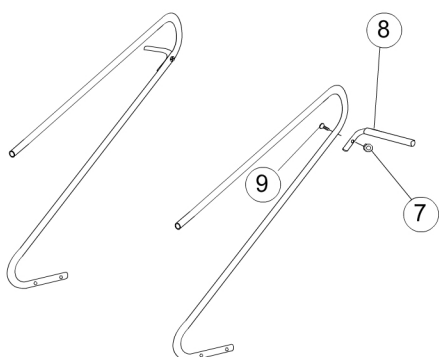
Item	Qty.	Description
	1	Wheel support tube
	2	8" Wheel
	2	1/2" Capnut
	1	Center frame
	4	Main racks
	6	Capscrew, 5/16-18 x 3-1/2"
	12	Lock nut 1/4"
	4	Handle
	4	Socket screw 5/16-18 x 1-1/2"
	4	Plastic tubing
	2	Capscrew, 5/16-18 x 2-1/4"
	2	Swivel casters
	2	Nut, 1/2-13
	4	Tube closure
	8	Round tube clouser 7/8" O.D.
	2	Lock washer

DYMS20

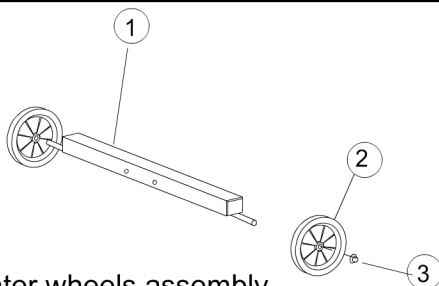


1. Inserting tube closures

- Insert square tube closures (part #14) on center frame.
- Insert round tube closures (part #15) at each end of main racks.

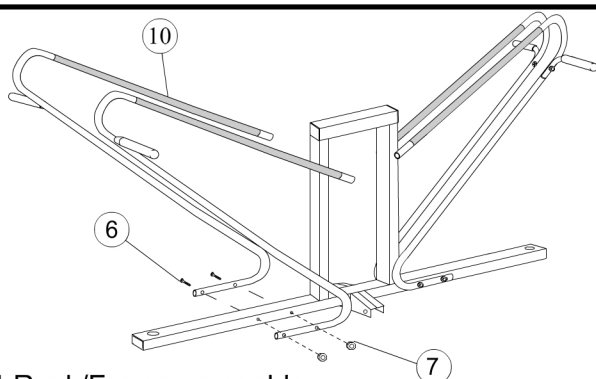


- ### 2. Using a wrench and the supplied Allen wrench, attach four handles (part #8) to main racks with four socket screws (part #9)



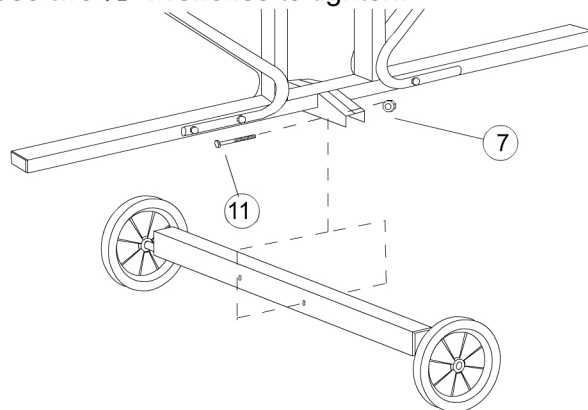
3. Center wheels assembly

- Insert each 8" wheel (part #2) on rods that protrude from the wheel support tube (part #1).
- Place cap nuts on the rod after the wheels has been inserted.
- Place supplied hollow tube over cap nuts and bang tube with hammer. NOTE: Don't over-bang, as this will cause wheels to become too tight.



4. Rack/Frame assembly:

- Slide each of the four plastic tubes (part# 10) onto top part of each rack.
- Using six 5/16"-18 x 3 1/2" cap screws (part #6), attach main racks to center frame (part #4).
- Use the locknuts (part# 7) to secure screws. Use two 1/2" socket wrenches to tighten.
- Attach wheel support tube (part #1) to center frame (part #4) using two 5/16"-18 x 2 1/4" (part # 11)
- Use the locknuts (part# 7) to secure screws. Use two 1/2" wrenches to tighten.



5. Swivel caster assembly:

- Insert caster stem through hole at each end of center frame.
- Place lock washer (part # 17) on top of caster stems.
- Use nuts (part # 14) to secure casters. Use a 3/4" wrench to tighten.

