

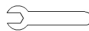
DYMS10


Assembly instructions for Model Number DYMS10

Before starting:

Remove everything from box and lay them out. Refer to the drawings and identify all parts.


Tools needed:

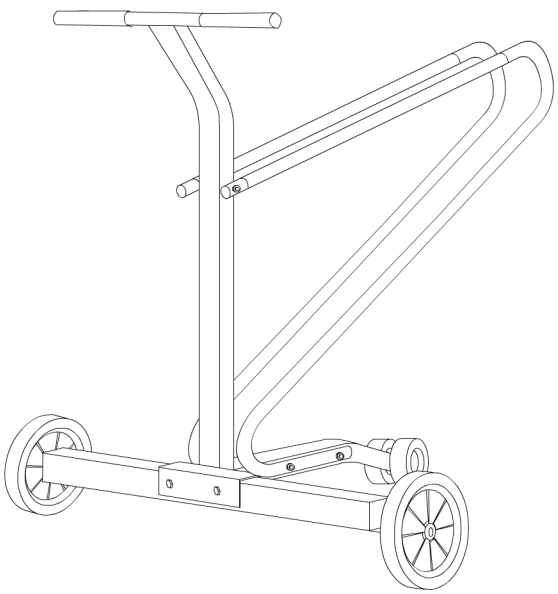
One 3/4" wrench 







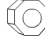




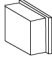
Two 1/2" wrenches 

Hammer 

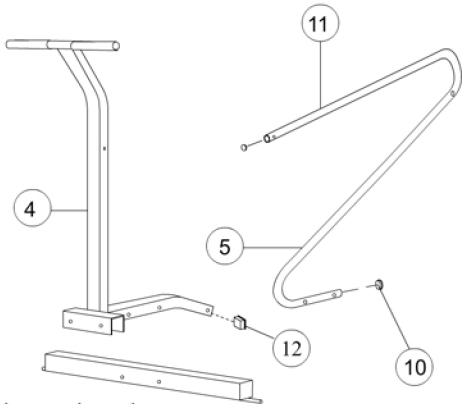
Tools supplied

Hollow Tube 



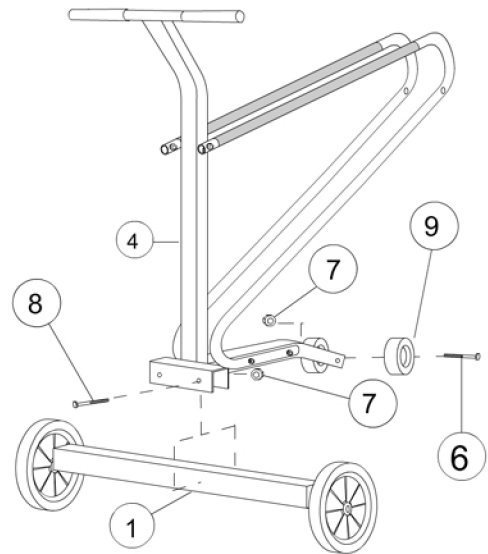
Item	Qty.	Description
	1	Wheel support tube
	2	8" Wheel
	2	1/2" Capnut
	1	Center frame
	2	Main rack
	4	Capscrew, 5/16-18 x 3 1/2"
	6	Lock nut 1/4"
	2	Capscrew, 5/16-18 x 2 1/4"
	2	2" Wheel
	4	Round tube closure
	2	Plastic tubing
	1	Square tube closure

DYMS10 Assembly Instructions

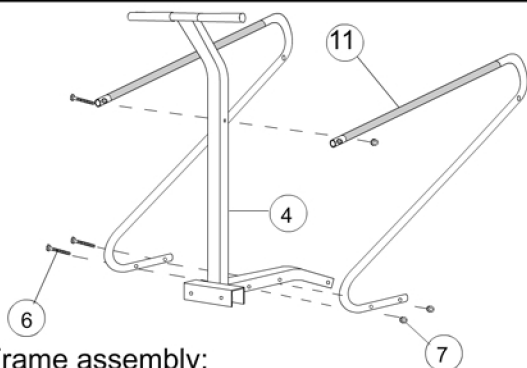


1. Inserting tube closures

- Insert square tube closures (part #12)
- Insert round tube closures (part #10) at each end of main racks (part #5).

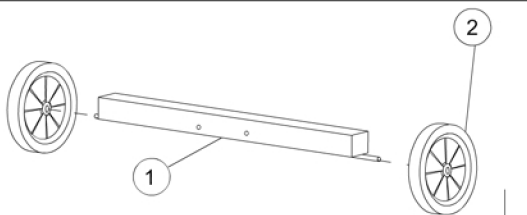


- Attach wheel support tube (part #1) to center frame (part #4) using two 5/16"-18 x 2 1/4" (part #8)
- Use the lock nuts (part# 7) to secure screws. Use two 1/2" wrenches to tighten.



2. Rack/Frame assembly:

- Slide each of the plastic tube (part# 11) on to top part of each rack.
- Using four 5/16"-18 x 3 1/2" cap screws (part #6), attach main racks (part #5) to center frame (part #4).
- Use the locknuts (part# 7) to secure screws. Use two 1/2" socket wrenches to tighten.



3. Center wheels assembly

- Insert each 8" wheel (part #2) on rods that protrude from the wheel support tube (part #1).
- Place cap nuts (part #3) on the rod after the wheels have been inserted.
- Place supplied hollow tube over cap nuts and bang tube with hammer. NOTE: Don't over-bang, as this will cause wheels to become too tight.

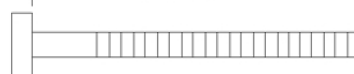
cap nut 1/2"



Lock nut, 1/4"



capscrew
3 1/2"



capscrew
2 1/4"

